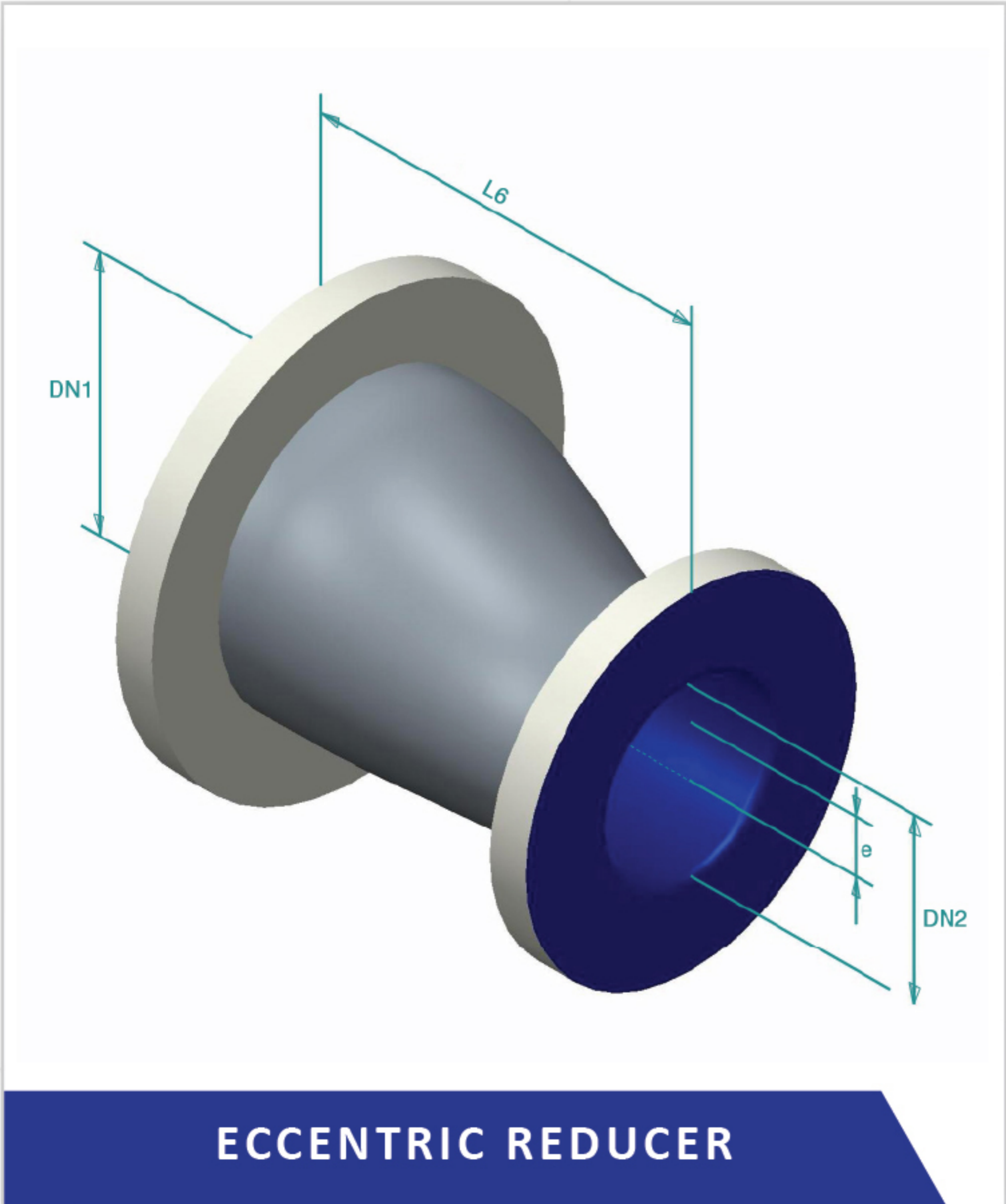
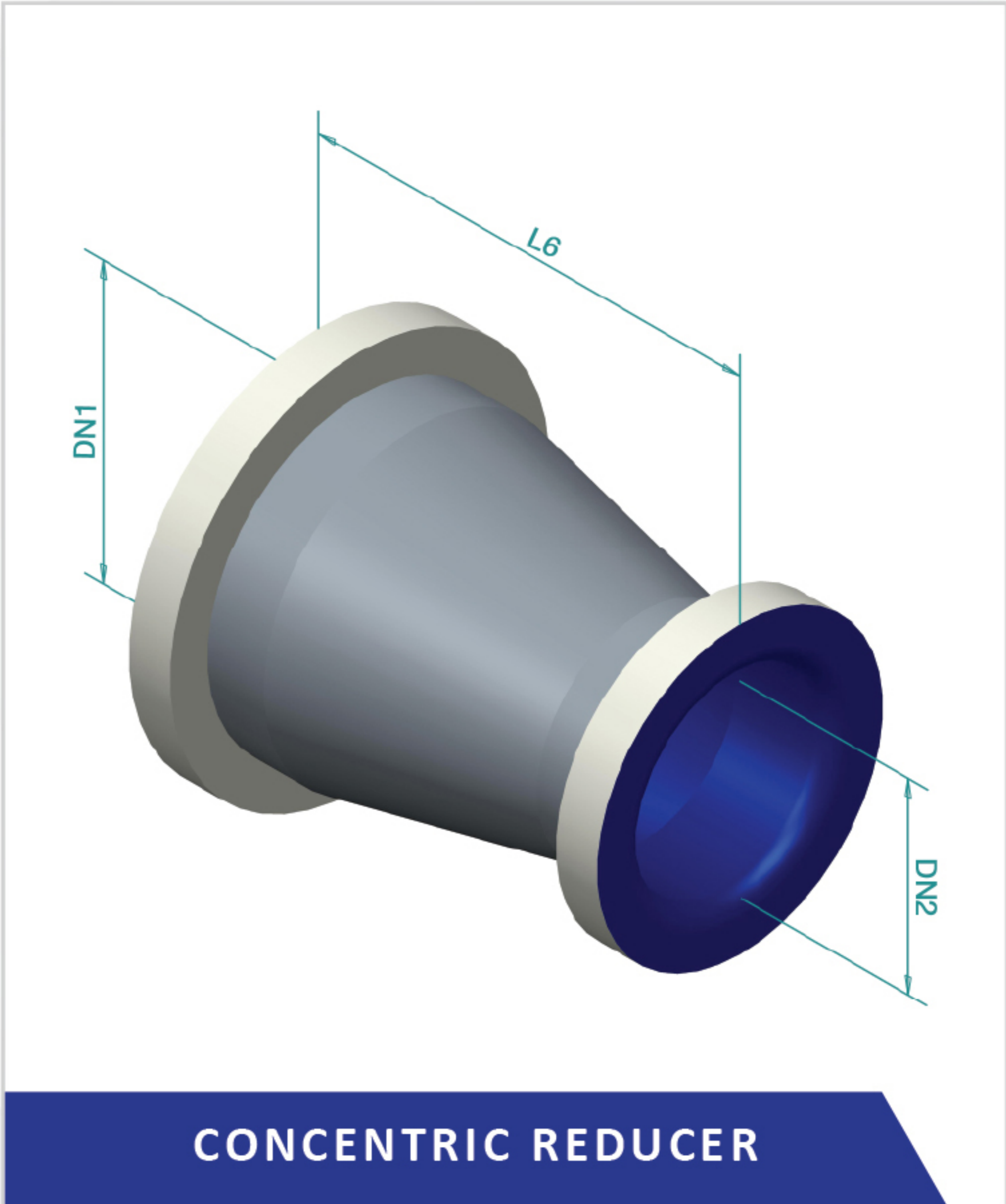




REDUCERS



ECCENTRIC REDUCER



CONCENTRIC REDUCER

***METRIC TABLE**

DN1	DN2																																										
	25			32			40			50			65			80			100			125			150			200			250			300			350						
	L6	e	daN	L6	e	daN	L6	e	daN	L6	e	daN	L6	e	daN	L6	e	daN	L6	e	daN	L6	e	daN	L6	e	daN	L6	e	daN	L6	e	daN	L6	e	daN							
32	140	4	1.2																																								
40	140	7	1.4	140	3	1.5																																					
50	140	13	2	140	9	2.1	140	6	2.2																																		
65	150	21	2.2	150	17	2.3	150	14	2.4	150	8	2.5																															
80	160	26	2.8	160	23	2.9	160	20	3.4	160	14	3.5	160	6	3.6																												
100	175	38	4.1	175	33	4.2	175	33	4.3	175	27	5	175	19	5.1	175	13	5.4																									
125	200	52	5.6	200	47	5.9	200	45	6.4	200	40	6.8	200	32	6.9	200	25	7.4	200	13	8.8																						
150	225	66	6.8	225	62	7.1	225	59	7.4	225	53	8.4	225	46	8.7	225	40	8.5	225	27	10	225	14	10.5																			
200							250	83	11.5	250	78	12.8	250	70	13.7	250	65	14.4	250	52	15.4	250	40	15.8	250	25	16.9																
250										300	100	19.6	300	94	20.8	300	88	22.2	300	79	22.5	300	67	22.8	300	52	23.6	300	27	25.9													
300											325	129	22.7	325	121	23.9	325	115	25.1	325	103	28.3	325	90	28.7	325	76	29.6	325	51	32	325	28	35.6									
350																									420	96	37	420	72	41.2	420	48	47.2	420	21	51							
400																												440	91	48	440	65	54	440	38	58.5	440	17	64.3				