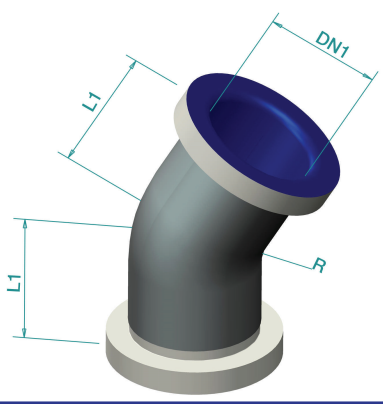
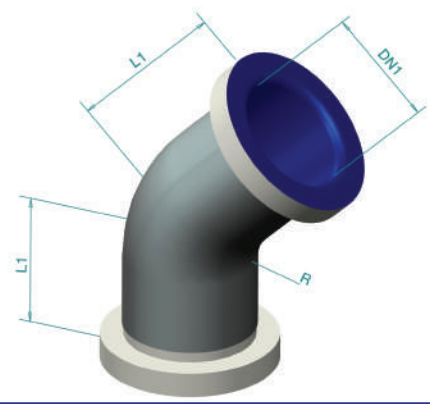




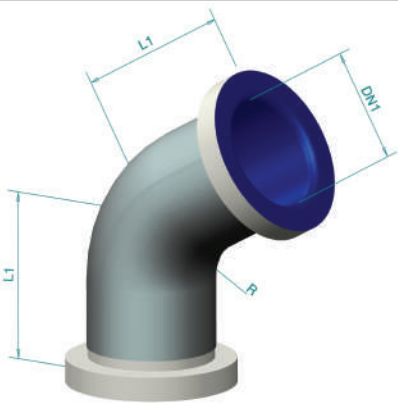
# ELBOWS



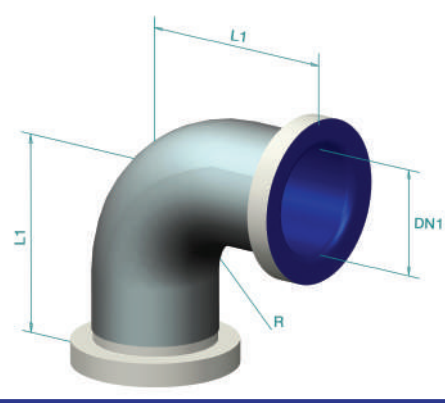
**BEND 30 DEGREE**



**BEND 45 DEGREE**



**BEND 60 DEGREE**



**BEND 90 DEGREE**

**\*METRIC TABLE**

ø		DN1													
		25	32	40	50	65	80	100	125	150	200	250	300	350	400
30°	L1	50	60	65	70	70	80	85	90	100	120	140	160		
	R	38	47.6	57.2	76.2	95.2	76.2	101.6	127	152.4	203.2	254	304.8		
	daN	0.95	1.2	1.6	2.2	3.1	4.5	5.7	7.2	9	19	25.5	37		
45°	L1	60	65	70	80	85	95	105	125	150	180	220	260	270	300
	R	38	47.6	57.2	76.2	95.2	114.3	114.3	190.5	228.6	304.8	381	457.2	533.4	757
	daN	1	1.3	1.6	2.3	3.45	5	6.3	8.5	13	22	36	50	65	70
60°	L1	70	75	80	100	100	110	120	130	150	180	220	280		
	R	38	47.6	57.2	76.2	95.2	76.2	101.6	127	152.4	203.2	254	304.8		
	daN	1.4	1.6	2	2.5	4.3	5.2	6.7	10.3	13.5	21.6	35.9	59		
90°	L1	90	100	105	115	120	135	155	175	195	260	315	350	400	450
	R	38	47.6	57.2	76.2	95.2	76.2	101.6	127	152.4	203.2	254	304.8	355.6	406.4
	daN	1.1	1.8	1.6	3.5	3.7	5.5	7.4	12.5	14	26	43	65	75	95