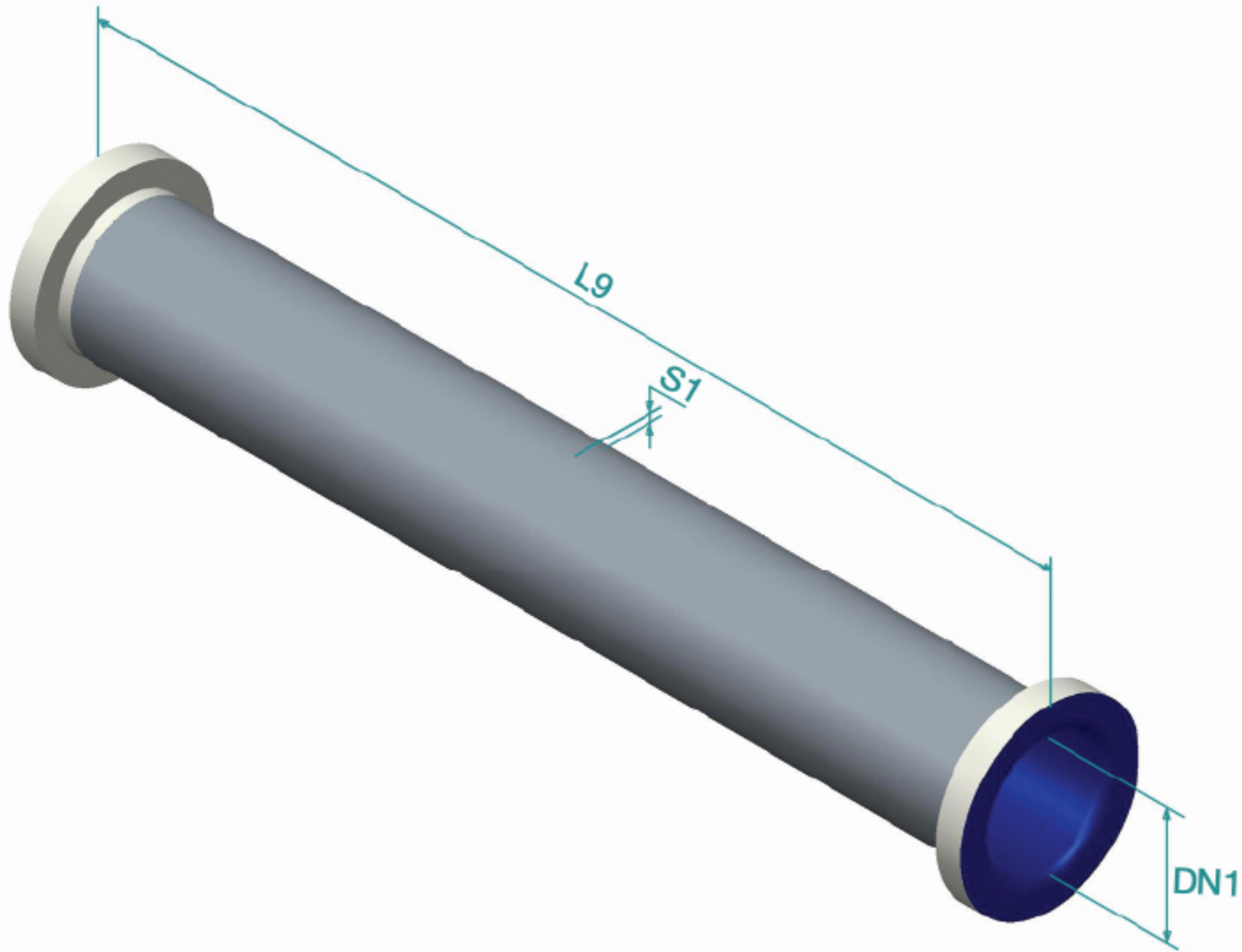
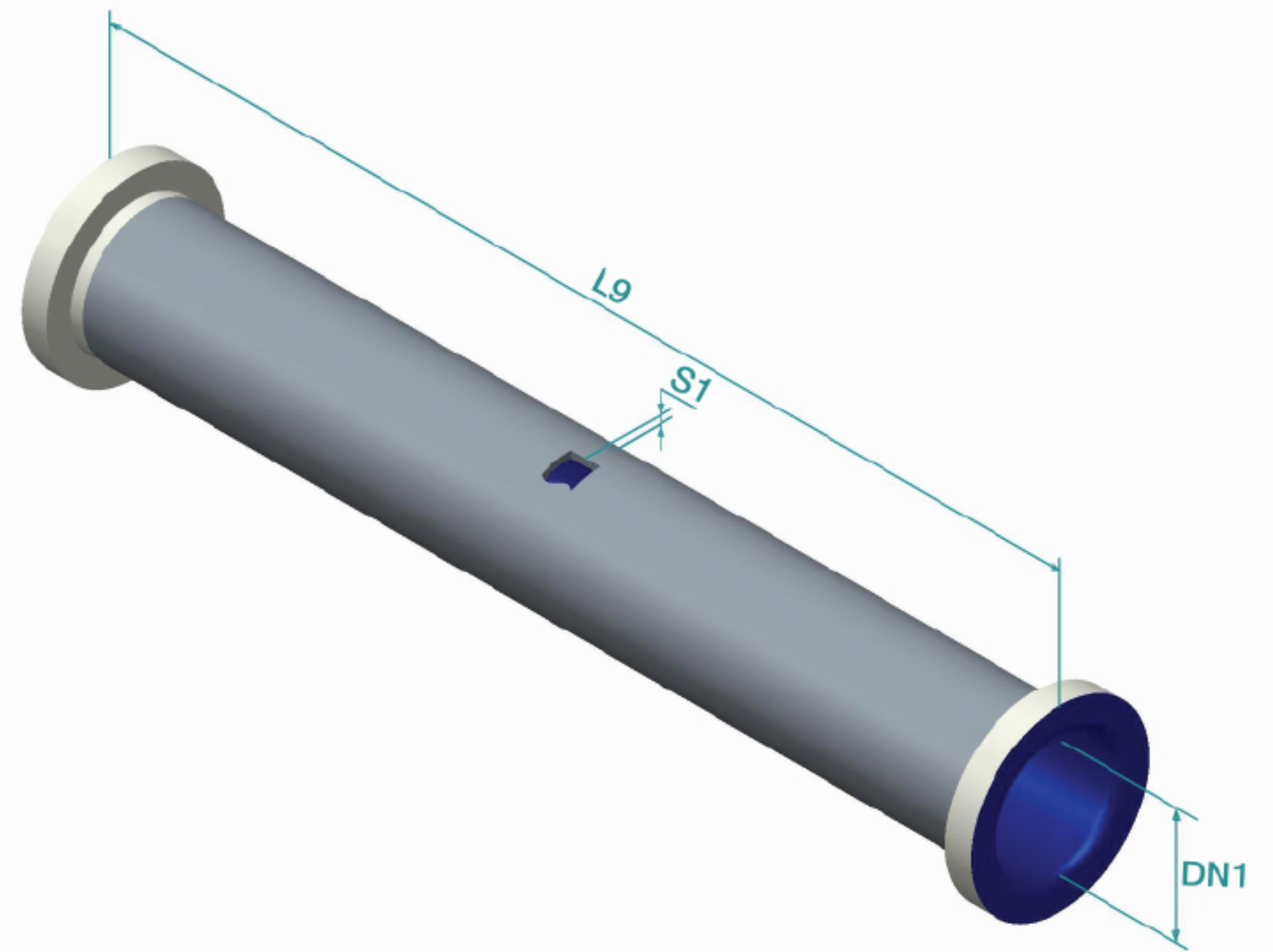




# PIPES



**PIPE-1**



**PIPE-2**

**\*INCH TABLE**

L9	DN1													
	1"	1 1/4"	1 1/2"	2"	2 1/2"	3"	4"	5"	6"	8"	10"	12"	14"	16"
S1	3.6	3.6	3.6	4	5.2	5.6	6.3	6.6	7.1	8	10	10	10	10
100	1.1	1.4	1.6	1.8	2.5	3.4	4	6.2	6.7	10.4	13.9	20.2	27.7	32.1
150	0.9	1.4	1.5	2	2.9	3.9	4.8	6.9	8.1	12.5	17.2	21.5	31.5	37.9
200	1.1	1.5	1.6	2.3	3.3	4.5	5.7	7.9	9.5	14.5	20.4	25.4	35.9	43
250	1.2	1.7	1.8	2.6	3.7	5.1	6.5	8.9	10.9	16.6	23.7	29.3	40.4	48.2
300	1.3	2.1	2.2	2.9	4.1	5.7	7.4	10	12.3	18.7	27	33.2	44.9	53.3
400	1.5	2.4	2.6	3.4	4.9	6.8	9.1	12.1	15.1	22.8	33.5	40.8	53.8	63.5
500	1.7	2.7	2.8	3.9	5.7	7.9	10.7	14.1	18	27	40	48.6	62.7	73.8
600	1.9	3.1	3.2	4.5	6.5	9.1	12.4	16.2	20.8	31.2	46.4	56.4	71.6	84
700	2.2	3.4	3.6	5.1	7.3	10.3	14.1	18.3	23.6	35.3	52.9	64.9	80.6	94.2
750	2.4	3.6	3.8	5.3	7.7	10.8	14.9	19.3	25	37.4	56.2	67.9	85	99.3
800	2.5	3.8	4	5.6	8.1	11.4	15.8	20.3	26.4	39.5	59.4	71.8	89.5	104.5
1000	3	4.4	4.8	6.7	9.6	13.7	19.1	24.5	32.1	47.8	72.4	87.3	107.3	124.9
1500	4.2	6.1	6.8	9.5	13.6	19.4	27.5	34.8	46.2	68.6	104.8	126.1	151.9	176.1
1800	4.9	7.2	7.9	11.2	16.1	22.9	32.5	41.1	54.6	81.1	124.3	149.2	178.7	206.8
2000	5.4	7.9	8.8	12.3	17.6	25.2	35.9	45.2	60.2	89.5	137.3	164.7	196.5	227.3
2500				15.1	21.6	31	44.3	55.5	74.4	110.2	169.7	203.4	241.2	278.5
3000				17.8	25.6	36.7	52.7	65.9	88.5	131.1	202.2	242.1	285.8	329.6

