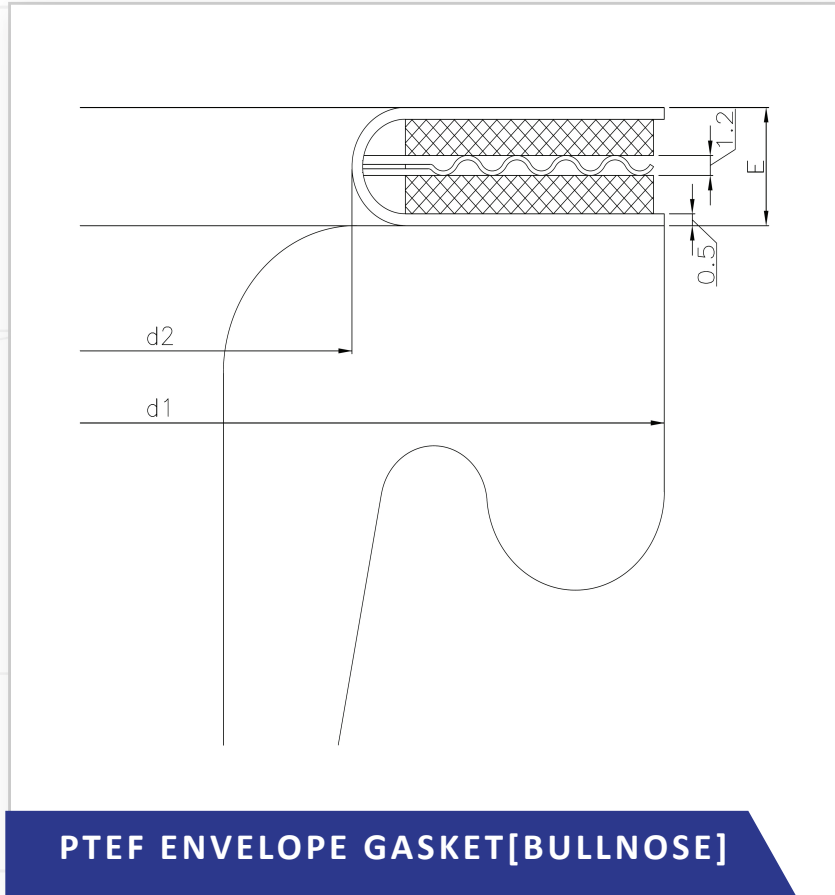




# PTFE ENVELOPE GASKET [Bullnose]



**PTEF ENVELOPE GASKET [BULLNOSE]**

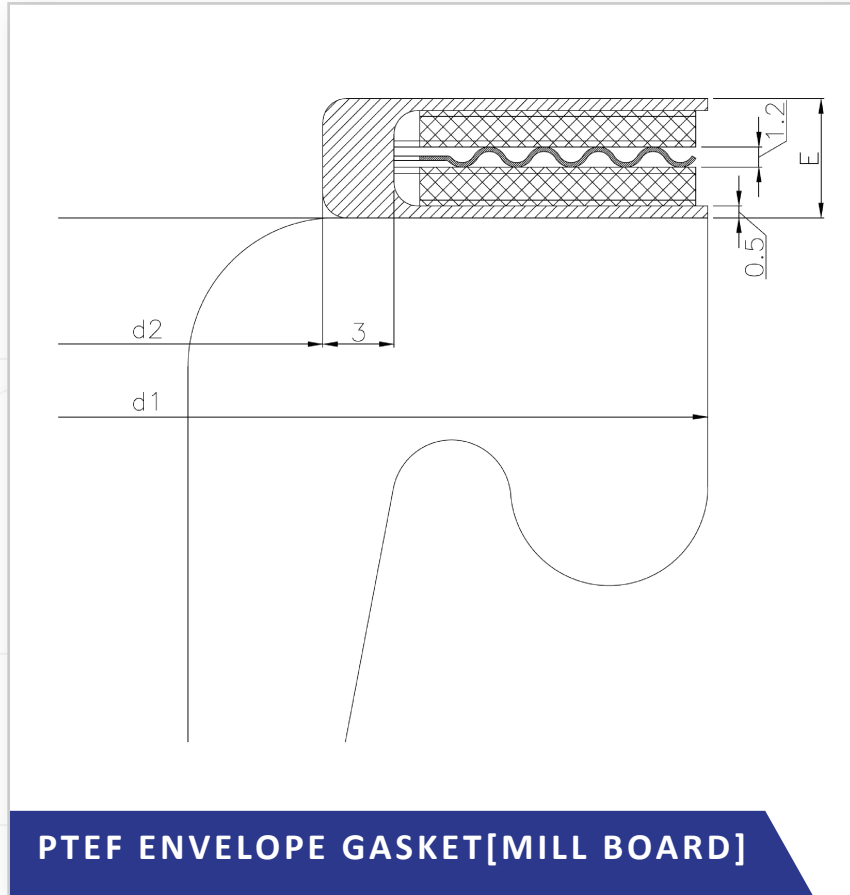
**\*INCH TABLE**

DN mm	d1	d2	E mm	bolts		Tightening torque Nm	
				Quantity	Ø	Aramid	Graphit
1"	60	30	6	4	M 12	15	10
1 1/4"	72	38	6	4	M 12	20	15
1 1/2"	82	47	6	4	M 12	50	40
2"	104	59	6	4	M 14	50	40
3"	127	74	6	4	M 16	60	50
4"	162	113	6	8	M 16	50	40
5"	190	138	6	8	M 18	70	60
6"	214	163	6	8	M 18	70	60
8"	270	213	6	8	M 20	110	90
10"	328	263	6	12	M 22	100	90
12"	378	313	6	12	M 24	120	90





# PTFE ENVELOPE GASKET [Mill Board]



**PTEF ENVELOPE GASKET[MILL BOARD]**

**\*INCH TABLE**

DN mm	d1	d2	E mm	Bolts		Tightening torque Nm
				Quantity	Ø	Graphit
1"	60	30	6.2	4	M 12	10
2"	104	70	6.2	4	M 14	40
3"	127	85	6.2	4	M 16	50
4"	162	125	6.2	8	M 16	40
5"	190	150	6.2	8	M 18	60
6"	214	175	6.2	8	M 18	60
8"	270	225	6.2	8	M 20	90
10"	320	275	6.2	12	M 22	90
12"	378	327	6.2	12	M 24	90

